

LEARNING OBJECTIVES

After completing this lesson, you will be able to:

1. Use Quick Dimension to automatically dimension
2. Edit Multiple Dimensions
3. Edit extension locations using grips


LESSON 20

QUICK DIMENSION

Quick Dimension creates multiple dimensions with one command. Quick Dimension can create Continuous, Staggered, Baseline, Ordinate, Radius and Diameter dimensions.

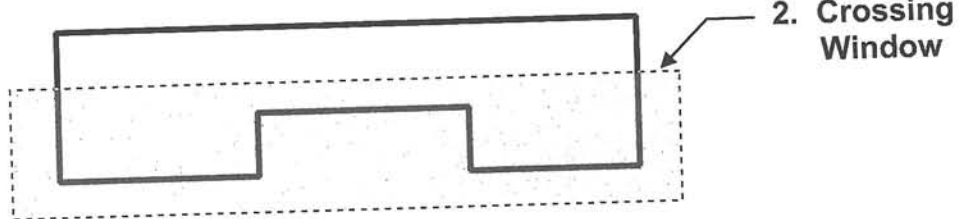
The following is an example of how to use the "Continuous" option. Staggered, Baseline, Diameter and Radius are explained on the following pages.

1. Select the **Quick Dimension** command using one of the following:

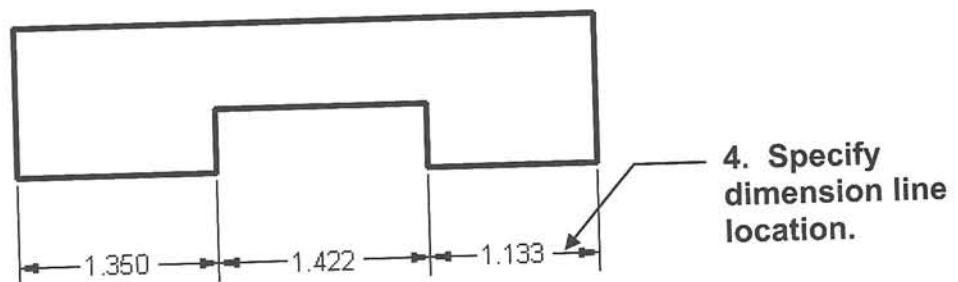
Ribbon = Annotate tab / Dimension panel / 
or
Keyboard = Qdim <enter>

Command: `_qdim`
Associative dimension priority = Endpoint
Select geometry to dimension

2. Select the objects to be dimensioned with a crossing window or pick each object

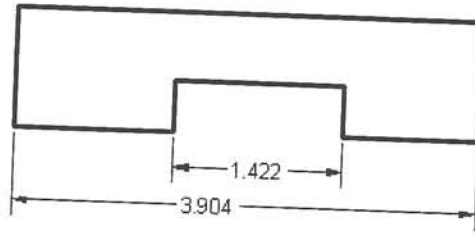


3. Press <enter> to stop selecting objects.
4. Specify dimension line position, or
[Continuous/Staggered/Baseline/Ordinate/Radius/Diameter/datumPoint/Edit/
settings]<Continuous>: **Select "C" <enter> for Continuous.**

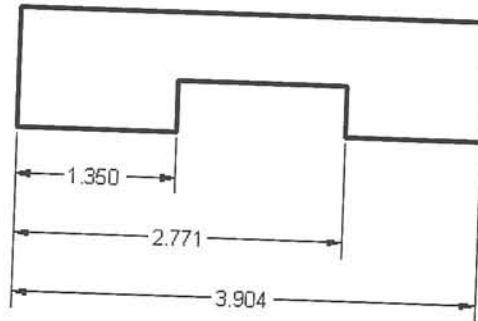


QUICK DIMENSION....continued

STAGGERED

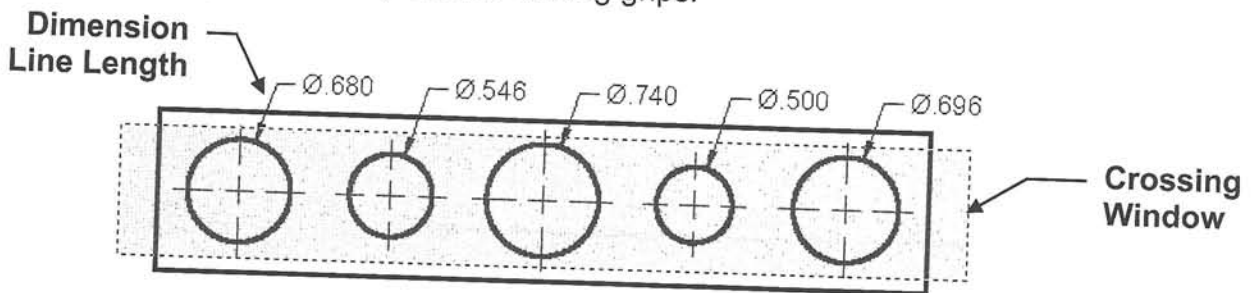


BASELINE



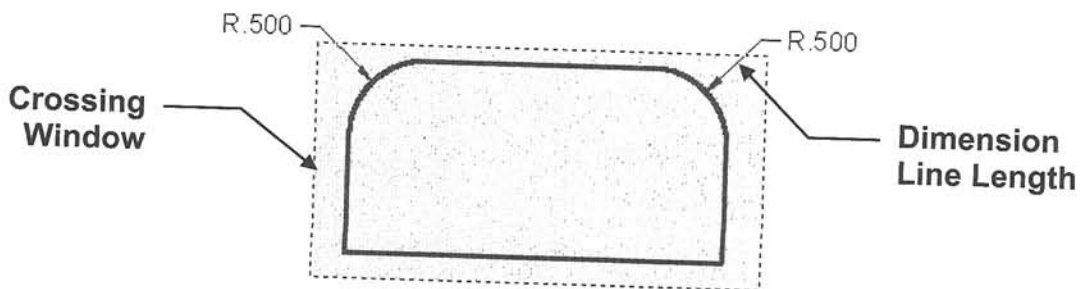
DIAMETER

1. You can use a crossing window. Qdim will automatically filter out any linear dims.
2. Dimension Line Length is determined by the "Baseline Spacing" setting in the Dimension Style. You may stretch it using grips.



RADIUS

1. You can use a crossing window. Qdim will automatically filter out any linear dims.
2. Dimension Line Length is determined by the "Baseline Spacing" setting in the Dimension Style.

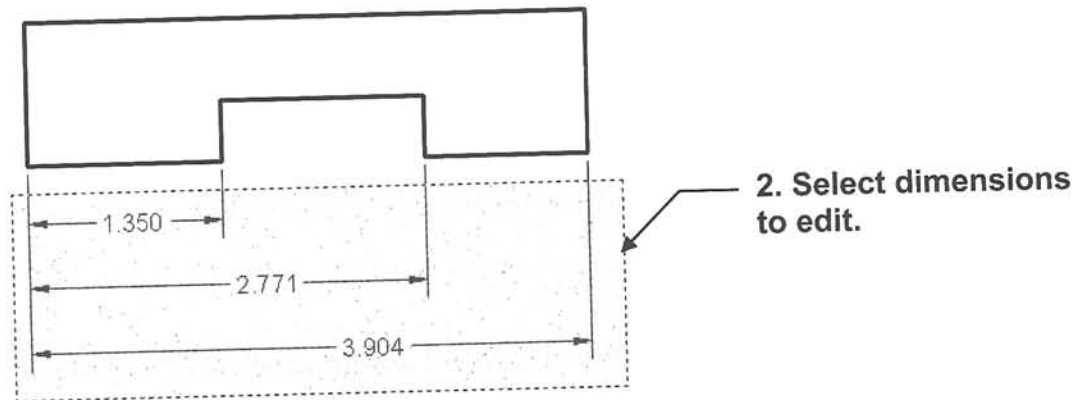


EDITING MULTIPLE DIMENSIONS

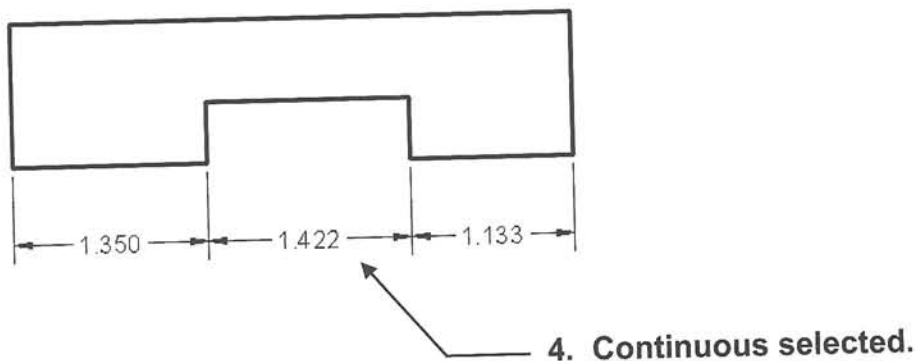
You can edit existing multiple dimensions using the QDIM / Edit command. The Qdim, edit command will edit all multiple dimensions, no matter whether they were created originally with Qdim or not. All multiple: linear, baseline and continue dimensions respond to this editing command.

The example below illustrates changing Baseline dimensions to Continuous.

1. Select the **Quick Dimension** command
2. Select the dimensions to edit.



3. Press <enter> to stop selecting dimensions.
4. Select an option, such as Continuous.

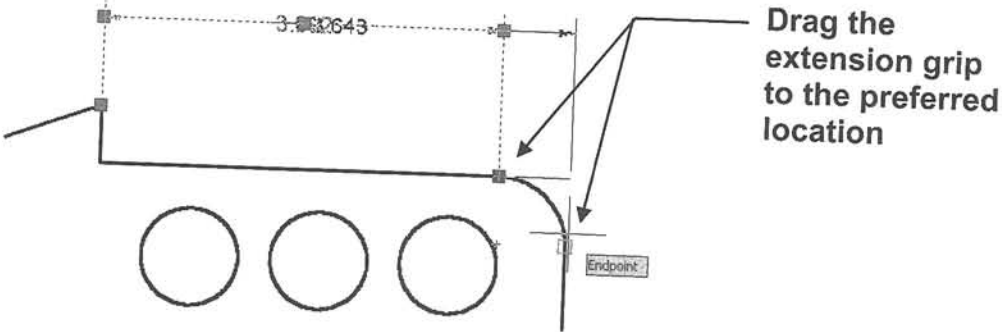
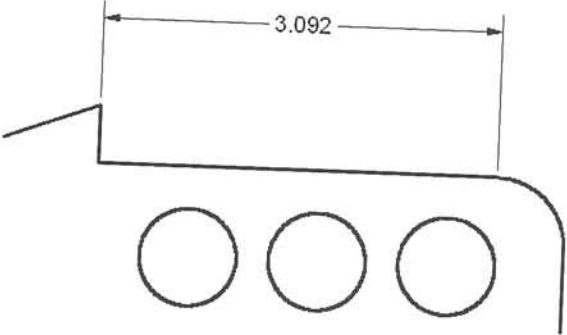


EDITING DIMENSIONS USING GRIPS

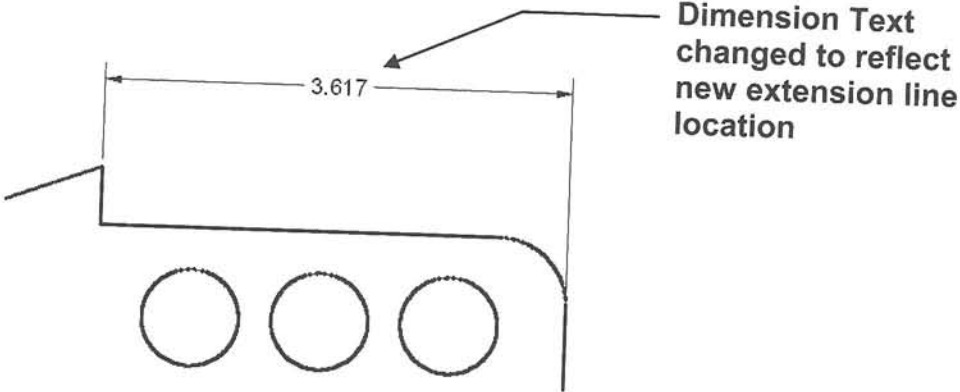
Sometimes, when using Quick Dimension, the extension lines point to a location that you do not prefer. If this happens select the dimension, select the grip and drag it to the preferred location. If the dimension is associative (refer to page 16-2) the dimension text will change to reflect the new extension line location.

EXAMPLE:

Before



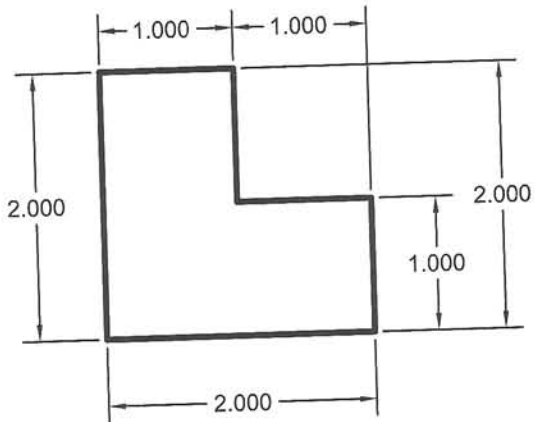
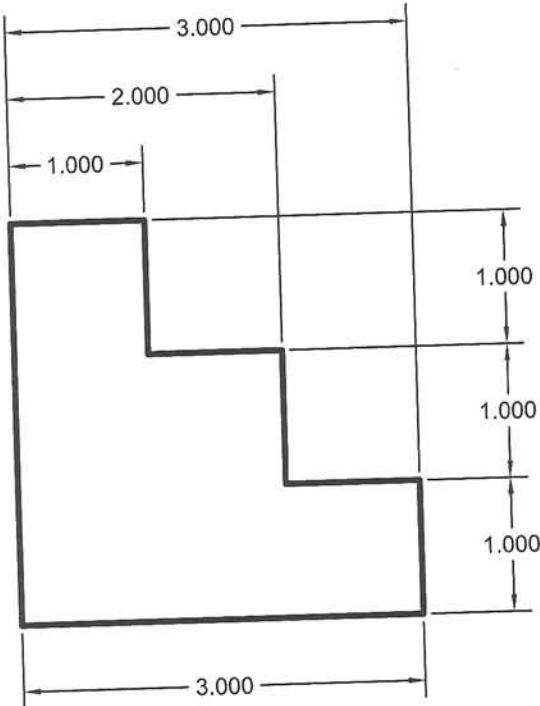
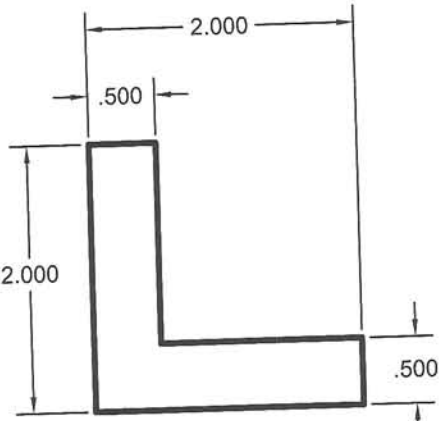
After



EXERCISE 20A

INSTRUCTIONS:

1. Open **EX16A**
2. Edit the dimensions as shown below using Quick Dimension. (Refer to page 20-4)
Notice: some of the Continuous have changed to Baseline and vice versa. This is a very helpful command.
3. Edit the Title and Ex-XX by double clicking on the text. Do not erase and replace.
4. Save as **EX20A**
5. Plot using Page Setup **Class Model A**

	
	<p>Ex-20A</p>
<p>Your Name Here</p>	<p>Editing with Quick Dim</p>

EXERCISE 20B

INSTRUCTIONS:

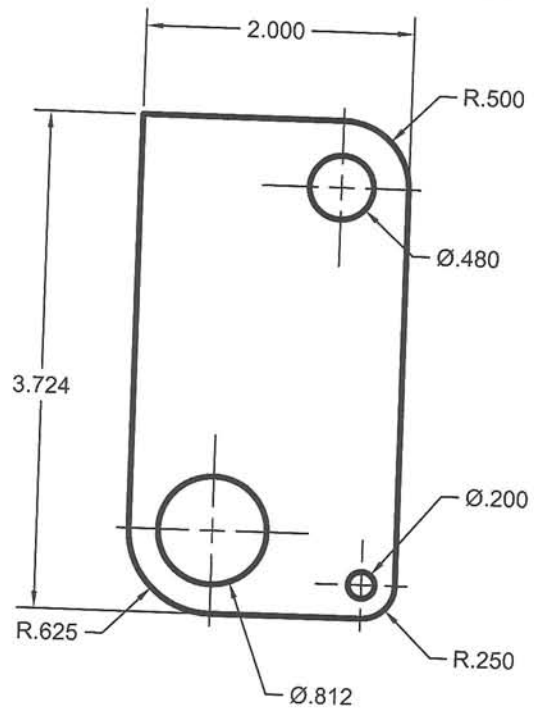
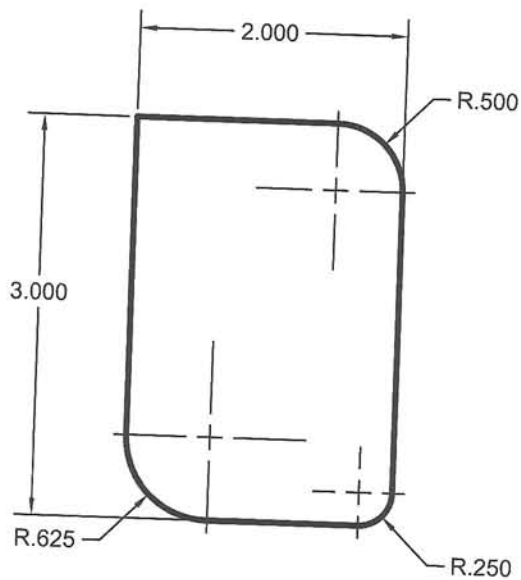
1. Start a **New** file using **Border A-2013.dwt**
2. Draw the 2 Rectangular forms below.
3. Dimension them using Quick Dimension, Diameter and Radius and a few Linear.

This time you will have to use "Pick" instead of "Crossing Window" to select the objects to dimension.

You may also have to move some of the dimension using grips because they may not be exactly where you want them.

Try it, I think you will find it very interesting.

4. Edit the Title and Ex-XX by double clicking on the text. Do not erase and replace.
5. Save as **EX20B**
6. Plot using Page Setup **Class Model A**



Your Name Here

Dimensioning with Quick Dim

Ex-20B

EXERCISE 20C

INSTRUCTIONS:

1. Start a **New** file using **Border A-2013.dwt**
2. Draw the object as shown below using Layer Object line.
3. Dimension using Quick Dimension whenever possible.
You may have to use "grips" to move the extension lines to the correct endpoint on the object. And you may have to mix in a few Linear dimensions.
Experiment and try some new methods.
4. Use Dimension Style "Class Style" and Layer Dimension
5. Edit the Title and Ex-XX by double clicking on the text. Do not erase and replace.
6. Save as **EX20C**
7. Plot using Page Setup **Class Model A**

