

Item	Qty	Name	Material
1	1	TOP PLATE	MALLEABLE IRON
2	1	WHEEL	MALLEABLE IRON
3	1	AXEL	SAE 1112
4	2	AXEL SUPPORT	MALLEABLE IRON

METRIC

STONEY CREEK H.S.
575 TIENKEN
ROCHESTER HILLS MI 48306

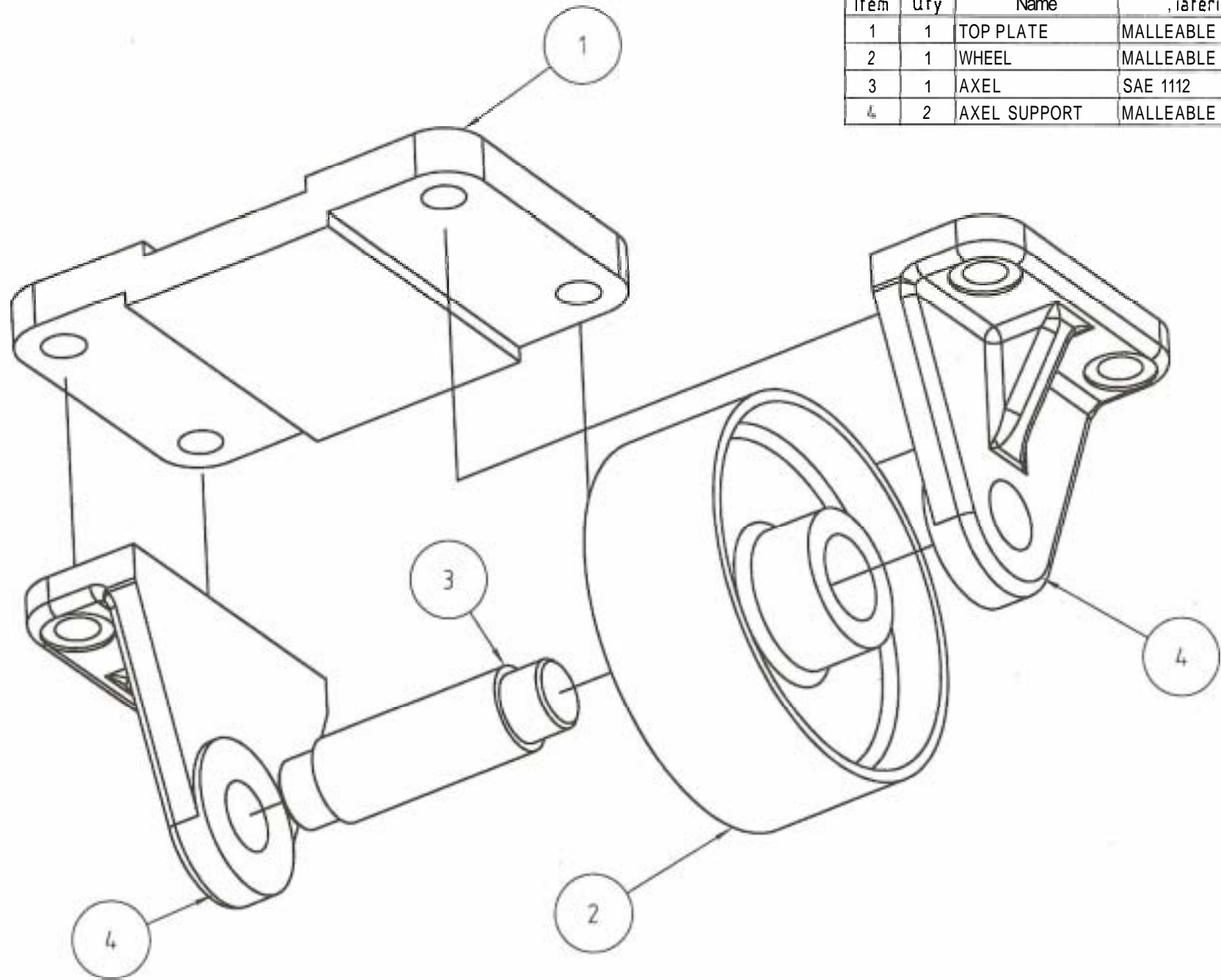
MECHANICAL DESKTOP 6.0
CAD ENGINEERING I
INST: MR. HILDEBRANDT

WHEEL ASSEMBLY
DRAWN BY: WARREN HILDEBRANDT
FILE NAME: 16-WHEEL ASSEMBLY

HOUR: 1ST
DATE: 5-9-02
SCALE: 3:4



Item	Qty	Name	Material
1	1	TOP PLATE	MALLEABLE IRON
2	1	WHEEL	MALLEABLE IRON
3	1	AXEL	SAE 1112
4	2	AXEL SUPPORT	MALLEABLE IRON



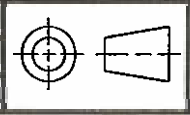
METRIC

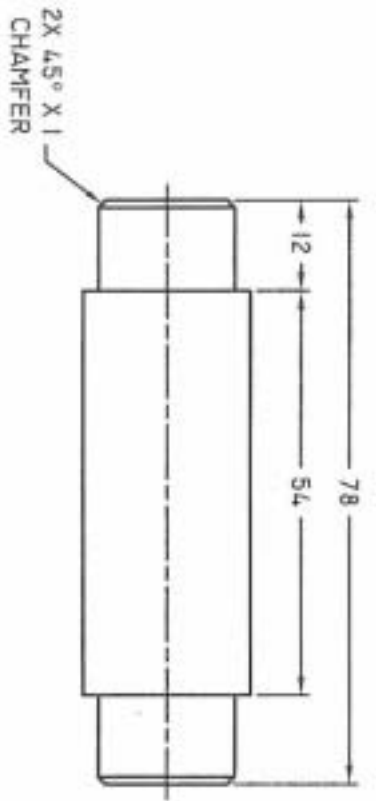
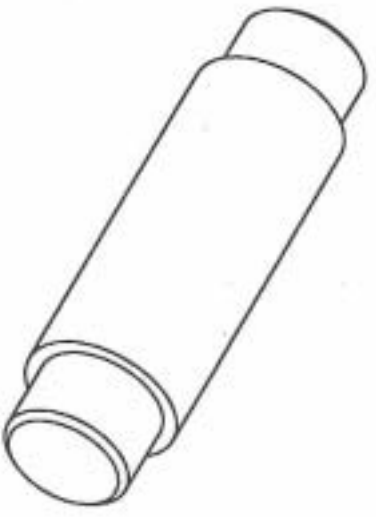
STONEY CREEK H.S.
575 TIENKEN
ROCHESTER HILLS MI 48306

MECHANICAL DESKTOP 6.0
CAD ENGINEERING I
INST: MR HILDEBRANDT

WHEEL ASSEMBLY EXPLODED
DRAWN BY WARREN HILDEBRANDT
FILE NAME 16- WHEEL EXPLODED

HOUR 1st
DATE 5-9-02
SCALE 3/4





METRIC

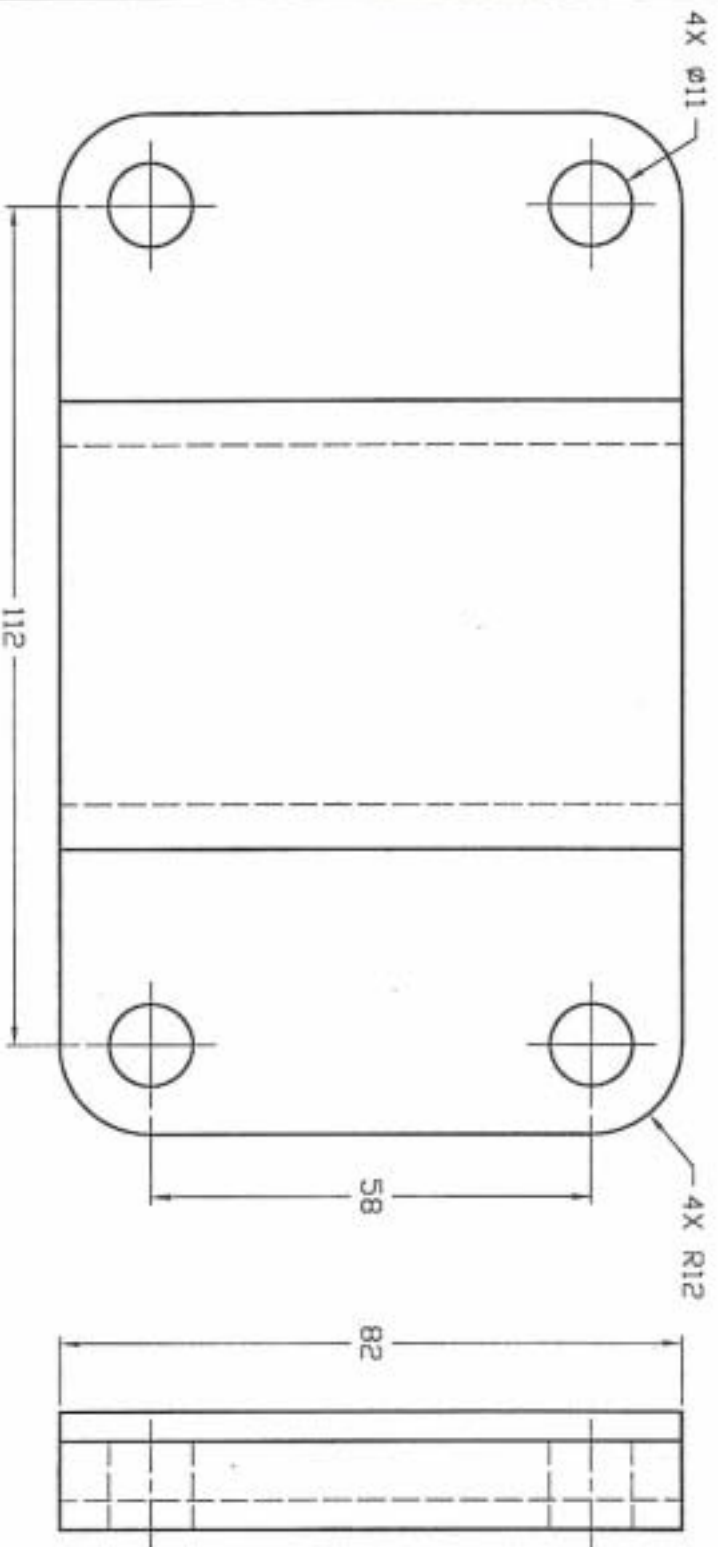
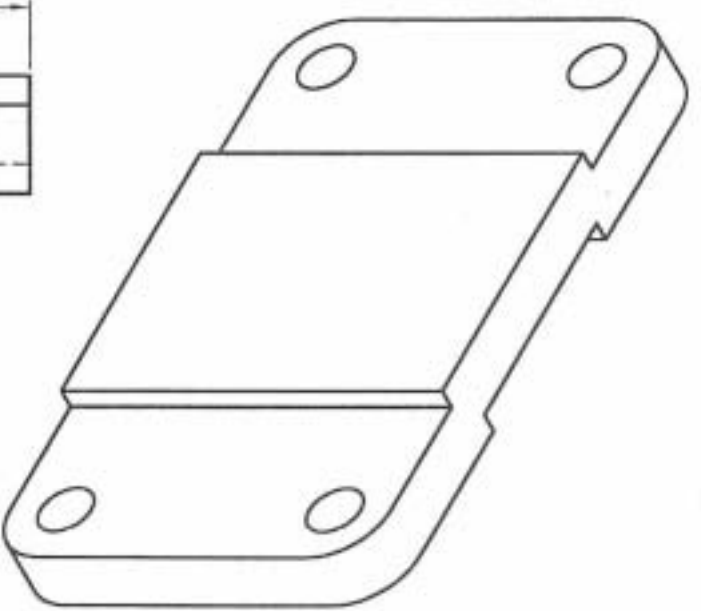
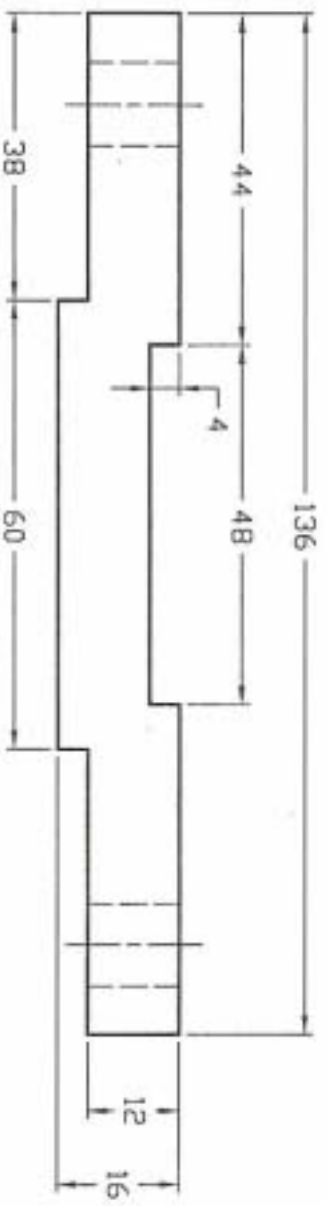
STONEY CREEK H.S.
575 TIENKEN
ROCHESTER HILLS MI 48306

MECHANICAL DESKTOP 6.0
CAD ENGINEERING I
INST: MR. HILDEBRANDT

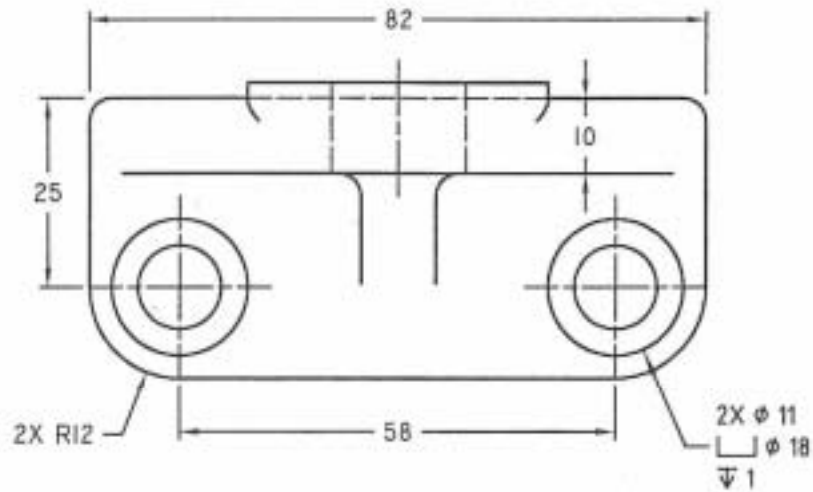
AXEL
DRAWN BY: WARREN HILDEBRANDT
FILE NAME: 16-AXEL

HOUR: 1ST
DATE: 5-9-02
SCALE: 1:1

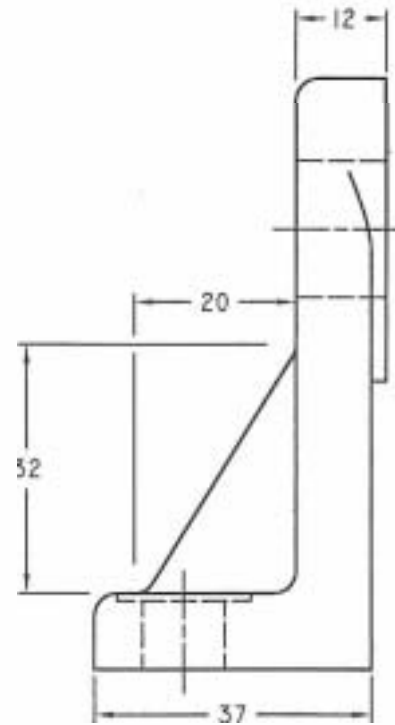
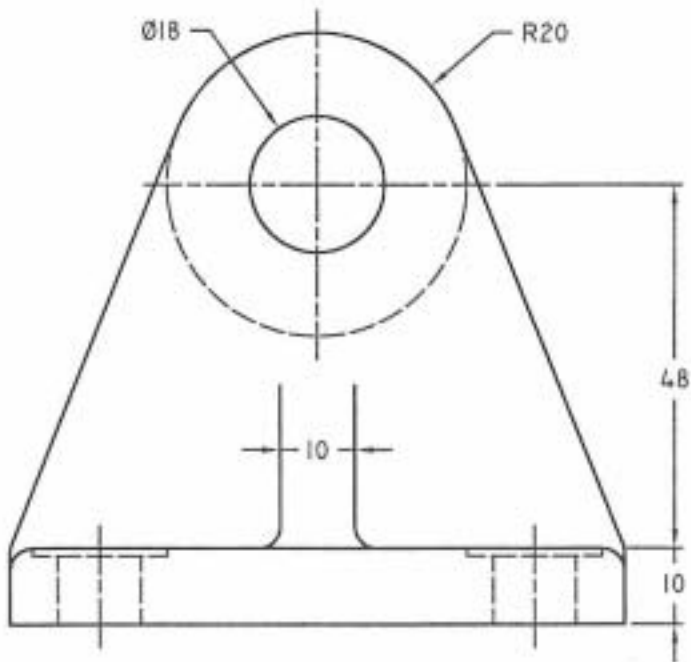
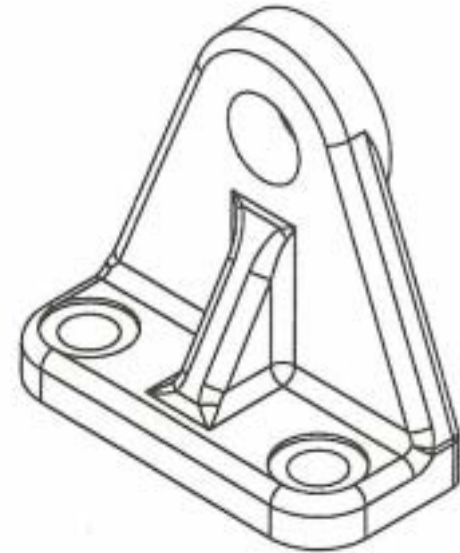




METRIC	STONEY CREEK H.S.	MECHANICAL DESKTOP 6.0	TOP PLATE	1ST	 
	575 TIENKEN ROCHESTER HILLS MI 48306		CAD ENGINEERING I	WARREN HILDEBRANDT	
INST: MR. HILDEBRANDT		DRAWN BY: WARREN HILDEBRANDT		SCALE: 1:1	
FILE NAME: 16-TOP PLATE					



ROUNDS AND FILLETS R3



METRIC

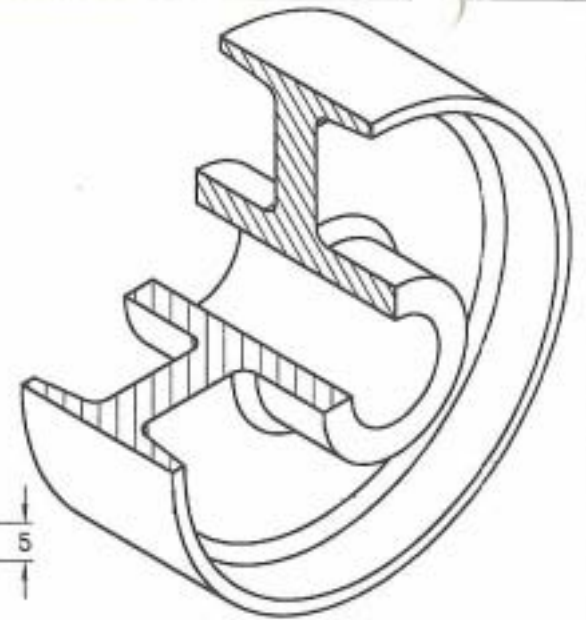
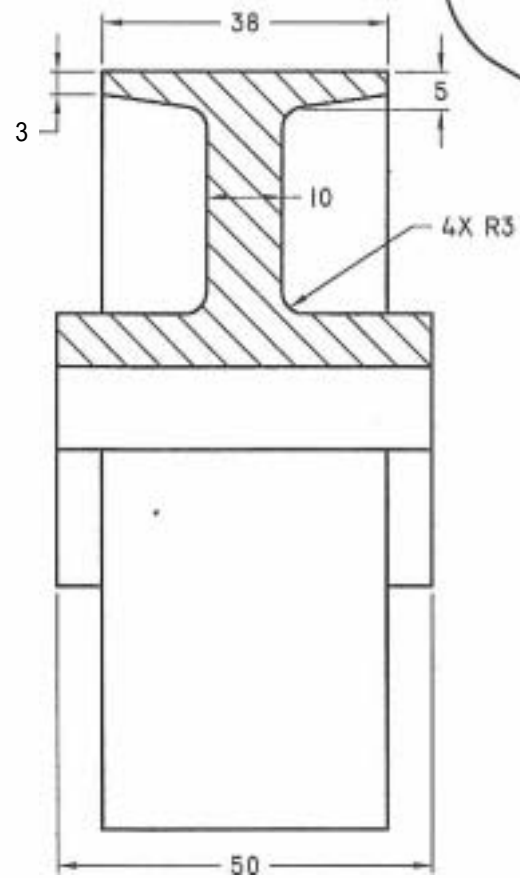
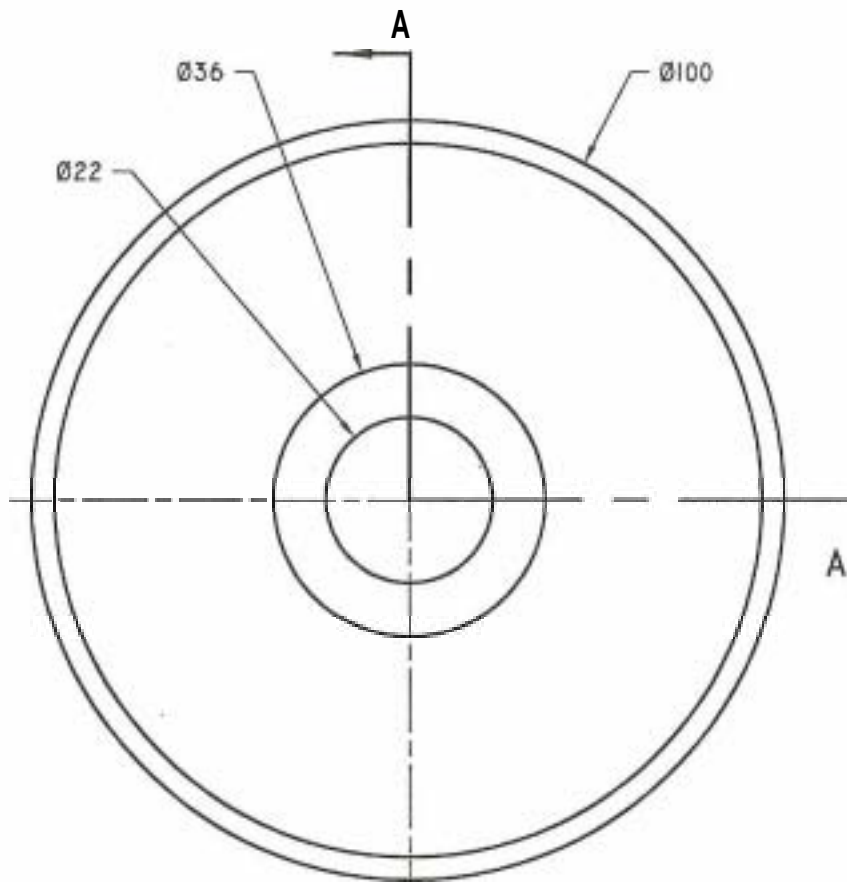
STONE CREEK H.S.
575 TIENKEN
ROCHESTER HILLS MI 48306

MECHANICAL DESKTOP 6.0
CAD ENGINEERING I
INST: MR. HILDEBRANDT

AXEL SUPPORT
DRAWN BY: WARREN HILDEBRANDT
FILE NAME: 16-AXEL SUPPORT

OUR: 1ST
DATE: 5-8-02
SCALE: 1:1





A-A

METRIC

STONEY CREEK H.S.
575 TIENKEN
ROCHESTER HILLS MI 48306

MECHANICAL DESKTOP 6.0
CAD ENGINEERING I
INST: MR. HILDEBRANDT

WHEEL
DRAWN BY: WARREN HILDEBRANDT
FILE NAME: 16-WHEEL

HOUR: 1ST
DATE: 5-9-02
SCALE: 1:1

